

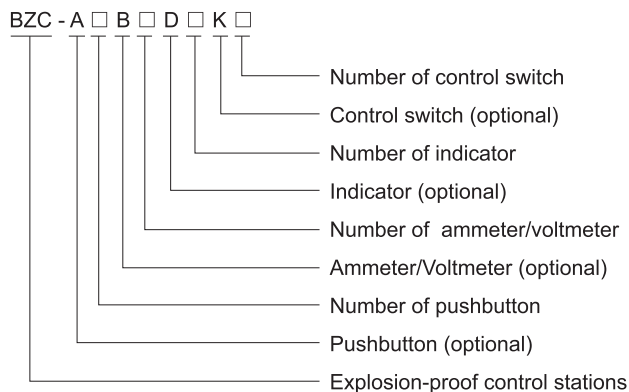
## Control Stations

### BZC Series Explosion-proof Control Stations (Ex d IIB)



- ◆ Explosion protection to
  - CENELEC
  - IEC
  - NEC
- ◆ Can be used in
  - Zone 1 and Zone 2
  - Zone 21 and Zone 22
  - Class I, Zone 1 and Zone 2
  - Class I, Division 1, Groups C, D
- ◆ Copper-free aluminium enclosure, powder coated surface.
- ◆ Six types of enclosure .

#### ■ Catalogue number logic



#### ■ Note

1. Please refer to the Selection table on P4/5.
2. Please select internal components as below:
  - Selection table of HA pushbutton on P4/12~13 (Nominal contact is 1NO+1NC);
  - Selection table of HD indicator on P4/14~15;
  - Selection table of HK control switch on P4/16~19;
  - Selection table of BB8050 explosion-proof ammeter/voltmeter on P4/53~55;
3. Example: BZC-A2B1K1
  - Components: Two pushbuttons, one ammeter, one control switch ;
  - Tech. Details: One start pushbutton (40036B + 40033, green, 1NO+1NC);
  - One stop pushbutton (40036A + 40033, red, 1NO+1NC);
  - One ammeter (40126, 100/5A);
  - One control switch (Function A, stop-run-start);
4. Special requirements on request.



# Zones 1&2; 21&22

## Control Stations

### BZC Series Explosion-proof Control Stations (Ex d IIB)

Selection table of control station BZC (Ex d IIB)				
Enclosure type	Components arrangement	Cable entries and direction	Ordering code	Enclosure weight (kg)
I		2-M25 x 1.5 Bottom entry	40017.....	8.00
II		1-M32 x 1.5 or 2-M25 x 1.5 Bottom entry	40018.....	9.10
III		1-M32 x 1.5 or 3-M25 x 1.5 Bottom entry	40019.....	10.20
IV		1-M40 x 1.5 or 2-M32 x 1.5 or 4-M25 x 1.5 Bottom entry	40020.....	15.90
V		1-M40 x 1.5 or 4-M32 x 1.5 or 6-M25 x 1.5 Bottom entry	40021.....	27.50
VI		1-M40 x 1.5 or 4-M32 x 1.5 or 6-M25 x 1.5 Bottom entry	40022.....	40.00



## Control Stations

## BZC Series Explosion-proof Control Stations (Ex d IIB)

## Technical data

## Explosion-proof control stations BZC (Ex d IIB)

## Explosion protection

Gas explosion protection

⊕ II 2 G Ex d IIB T6 Gb

Dust explosion protection

⊕ II 2 D Ex t III C T80°C Db IP66

## Certificates

LCIE 11 ATEX 3070X; IECEx CQM 11.0043; RU C-CN.ГБ05.B.00345 (CU-TR)  
KZ.7500525.22.01.00378 (CU-TR)

## Conformity to standards

EN 60079-0, EN 60079-1, EN 60079-31  
IEC 60079-0, IEC 60079-1, IEC 60079-31

## Enclosure material

Copper-free aluminium, powder coated surface

## Enclosure colour

Window grey (RAL7040)

## Exposed fastener

Stainless steel

## Rated voltage

Max. 415V AC

## Rated current

10A

## Degree of protection

IP66, IP67 (optional)

## Ambient temperature

-60°C~+55°C

## Components

1. Technical data of HA pushbutton on P4/12~13;
2. Technical data of HD indicator on P4/14~15;
3. Technical data of HK control switch on P4/16~19;
4. Technical data of BB8050 explosion-proof ammeter/voltmeter on P4/53~55;

## Cable entries

Standard M□ x 1.5 plug. Please see the Selection table on P4/5

## Cable gland (optional)

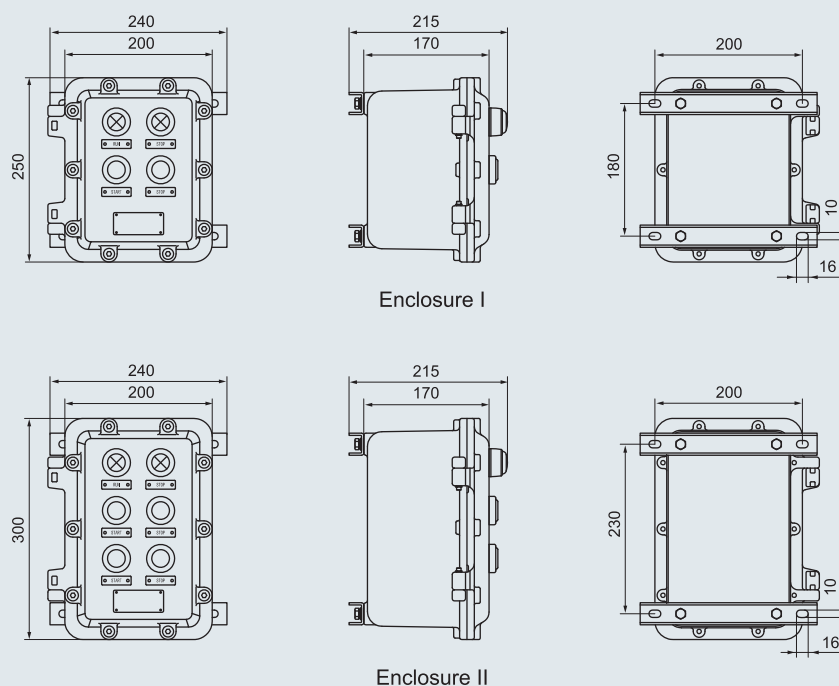
DQM-II (Ex d) or DQM-III (Ex d) is recommended. Please see P7/20~27.

## Mounting

Surface type



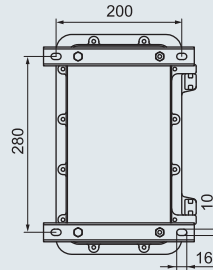
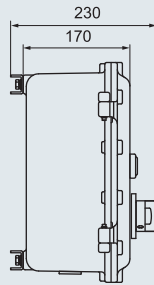
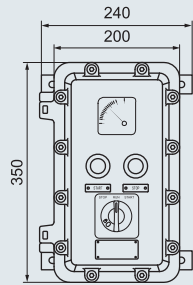
## Dimension drawings (all dimensions in mm) - subject to alteration



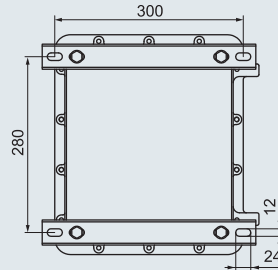
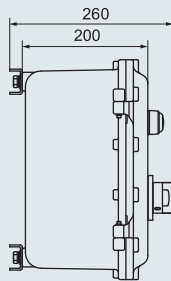
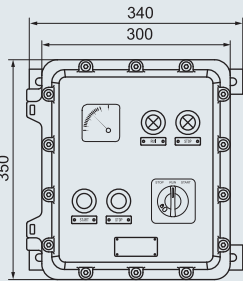
## Control Stations

### BZC Series Explosion-proof Control Stations (Ex d IIB)

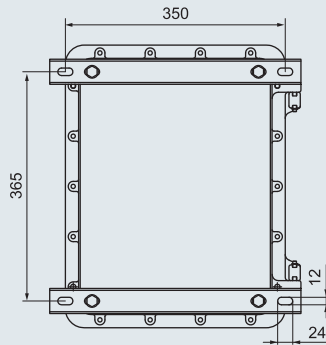
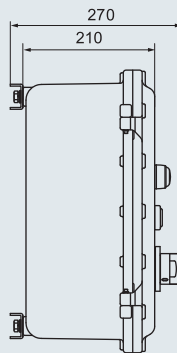
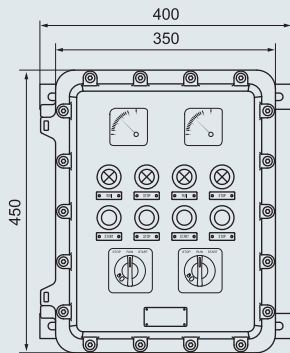
Dimension drawings (all dimensions in mm) - subject to alteration



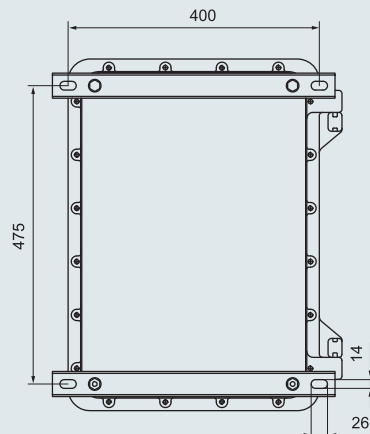
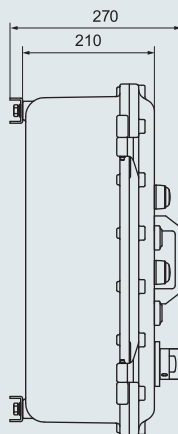
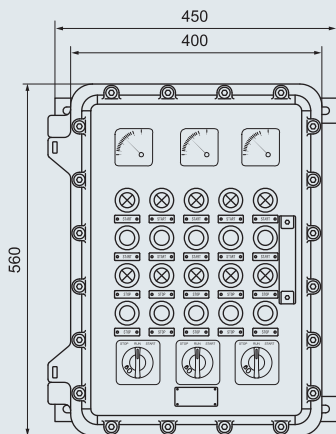
Enclosure III



Enclosure IV



Enclosure V



Enclosure VI

